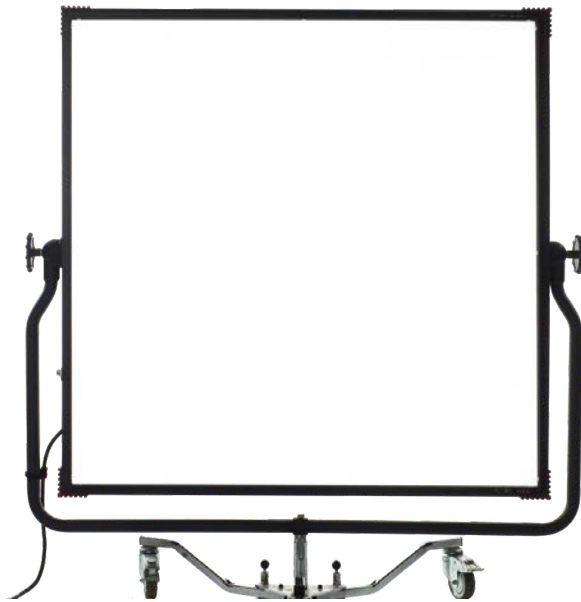


**PART #300.1211**



The new version of the Quantum II takes the series to the next level by providing 100,000 Lumens of output all packed into a lightweight chassis that has been thoughtfully designed for the film industry. With the addition of the touch screen control via the C2oS StageLynx software the Quantum II is capable of over 64K presets and effects that are easy to program. This level of customization makes it possible to create looks and effects that in the past would have involved a lighting console and hours of programming. Beyond the extraordinary white spectrum you expect with Cineo products the QII has full RGB capabilities.

#### **APPLICATIONS**

- Film and Television
- Virtual Production
- Commercial productions
- Corporate video

#### **PRODUCT FEATURES**

- C2Os StageLynx software on fixture
- Wired Network, WIFI, CRMX, DMX / RDM
- WIFI Hotspot capable
- Virtual Production capable
- Variable CCT 2000k - 10,000K +/- Green Control
- 100,000 Lumens Output
- Saturated Color Control
- User effects / Presets Recorder and player

**PRODUCT SPECIFICATIONS**

**SOURCE**

LED details	1,800 cells of HiCRI 2700K / HiCRI 6500K / Red / Blue / Green LEDs
Max Lumens at 5600K	100,000 Lumens
L70 rating (hours to 70% Output)	>50,000

**COLOR**

Color Used:	Red 645NM / Green 535NM / Blue 455NM
Color temperature range:	2000K - 10,000K
Calibrated Array:	Factory and field supported

**CONTROL**

Local control:	C2Os StageLynx software on fixture
Input Method:	5-pin XLR, CRMX Wireless, Wifi, RJ45 Ethernet,
Protocols:	Stagelynx, DMX-512, RDM, Lumenradio, sACN
Zonal control:	Single Zone
Personalities:	13
RDM configuration:	YES
UI type:	HD Color Touchscreen
Factor Preset Library:	300 Preset Colors / Digital gels
User presets Recorder and player:	Record and play > 64K preset files
User effects Recorder and player:	Record and play > 64K effect files
Configurable Color LUT:	Color Matching w/ UCS, REC.709, CINEO
Log Recorder:	Records all lighting data with timestamp
Color Calibration Utility:	Embedded calibration app Compatible with Sekonic 700, 800, 7000 series meters via USB
Software Upgradable:	Via USB, wired network, WIFI

**WARRANTY**

Fixture:	2 Years
----------	---------

**OPTICAL**

Beam Angle:	150° Lambertian
Aperture Size:	47.5in x 47.5 (1220 x 610mm)
Camera Flicker Free:	Flicker Free > 10,000FPS

**NETWORKING**

Wireless:	CRMX / IP Wifi
WIFI Band:	2.4 GHz and 5 GHz
IP Network (Ethercon & RJ45):	DHCP / Managed IP Network control

**ELECTRICAL**

Voltage range:	120 - 240 VAC 50/60Hz
Input method:	AC via Neutrik TRUE1
Wattage:	1500w
Current Draw:	12.5A 120V - 6.25A 240V

**THERMAL**

Ambient operating temp:	0° -40° C (32° -104° F)
Fan:	Yes
dB range:	0
BTUs/hour (120V):	5,115

**PHYSICAL**

Materials:	Cast and extruded aluminum
Mounting options:	Yoke, pipe mount, cable hang mount, 3/8-16 Mounting Points
IP:	IP 23 Rated for Outdoor use
Weight (Including yoke, Junior Pin):	83.5lbs (37.9kg)
Diffusion Slot:	Removable Polycarbonate diffuser
Gel Frame:	48in x 48" stadard size gel frame
Dimensions:	48" W x 48" H x 6" D (1.2mm W x 1.2mm H x 140mm D)

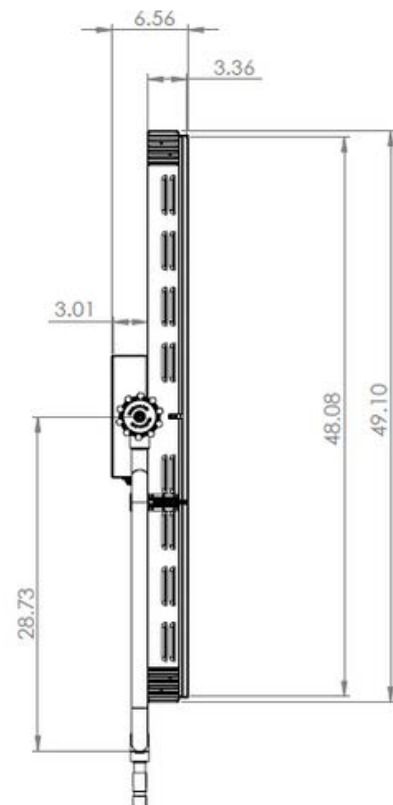
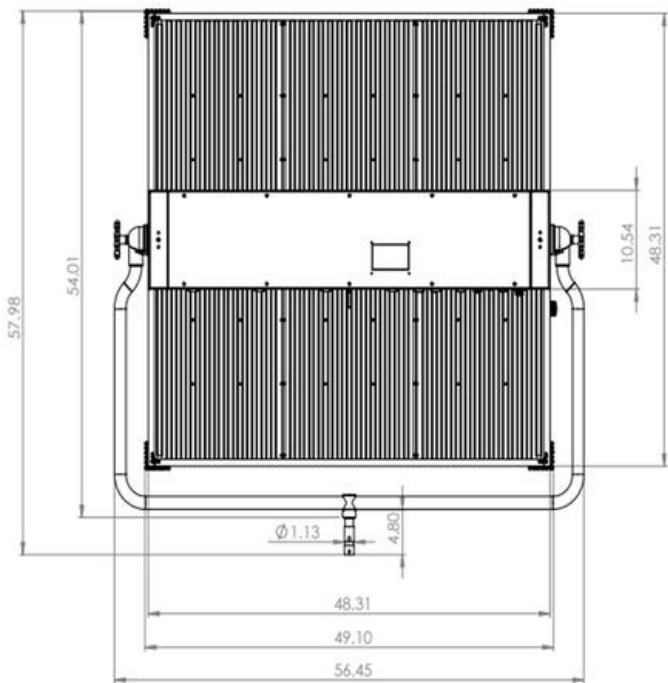
**ACCESSORIES**

Reflector:	Three Point Top Hanging Harness for Space light Skirt
------------	---

**PRODUCT SPECIFICATIONS**

**ACCESSORIES**

PART #:	DESCRIPTION:
1200.0045	Quantum Yoke for Quantum 2 Fixture
300.0900	Quantum Snapbag Frame
300.0901	Quantum SNAPGRID for 4 x 4' Frame (40°)
300.0899	Quantum Snapbag w/ Magic Cloth



**PRODUCT SPECIFICATIONS**

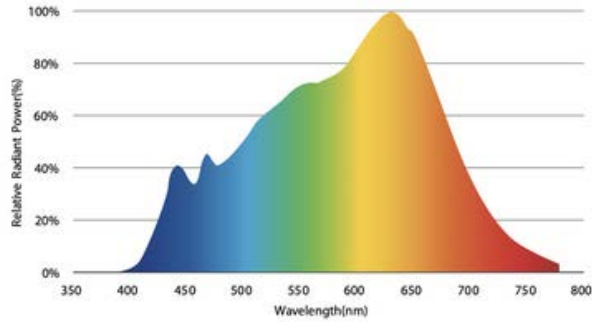
**ILLUMINANCE FOOT CANDLES**

MODE	10' / 3M	20' / 6M	30' / 9M
3200k	451.5	112.9	50.2
4300k	459.9	115	51.1
5600k	468.2	117.1	52

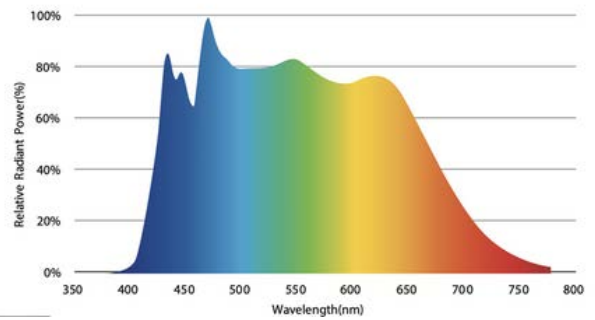
**ILLUMINANCE LUX**

MODE	10' / 3M	20' / 6M	30' / 9M
3200k	4,860	1,215	540
4300k	4,950	1,237.5	550
5600k	5,040	1,260	560

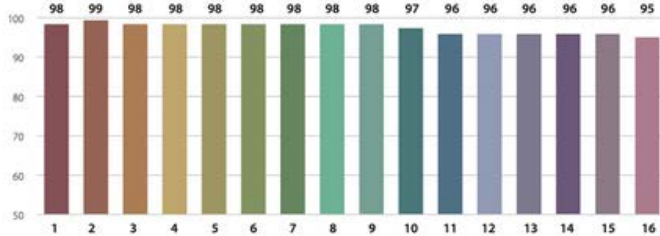
Spectrum curve @3200K



Spectrum curve @5600K



TM-30 @ 3200K



TM-30 @ 5600K

